

MORE VIP LESS FOMO

SEATING THAT RAISES THE BEAM

Comfort and Design Your Venue Deserves

If backs could talk they'd shout, "thank you," because the Clarity Sport delivers exceptional comfort. Developed in collaboration with leading ergonomists, it ensures hours of support to provide patrons with an unforgettable VIP experience.

So Perfect for Sports, It's in the Name

Featuring our innovative Beam-Mount System and a premium aesthetic, Clarity Sport effortlessly blends style and ease for stadiums, arenas and sports venues worldwide. Engineered to elevate every game day experience, you won't be able to tell if the crowd is cheering for their team, or the seats.

Effortless Upkeep. Enduring Quality

Designed with venue operators in mind, Clarity Sport features a low-maintenance build and a comprehensive range of finishes, ensuring easy upkeep and a long-lasting investment for any venue.

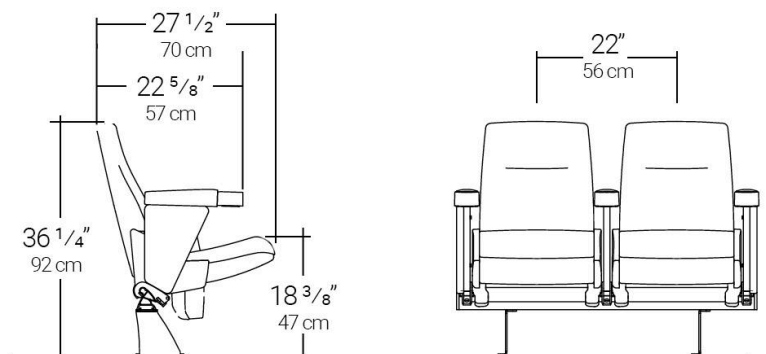


Features and Benefits

- **Beam-Mount System**
Designed to last a lifetime, our Beam-Mount System future-proofs your venue with flexible, efficient seating that's easy to upgrade, replace, and built to maximize every inch of space.
- **Gravity Tilt Seat Mechanism**
Concealed tilt mechanism to prevent finger entrapment
- **Injection Molded Seat and Back Structure**
Creating a strong and light weighter seat and back structure
- **Molded Polyurethane Seat and Back (Upholstered)**
Patented molded foam is long lasting, supportive and comfortable for continuous hours of use for years to come
- **Engineering-Grade Nylon Side Supports**
Side supports made from heavy duty structural material
- **Individually Designed Components**
Designed for ease of installation and replacement of key components
- **Zip Removable Covers**
Fast and easily replaced seat and back covers

Styling Options

21 Standard colors available (15 shown). Custom colors also available upon request. Scan the QR code below for optional accessories, and additional styling options.



Optional Accessories

- **18 and 22 Degree Back Angles**
To suite venue egress and comfort requirements
- **Mounting Systems Options**
Tread / Floor, Riser / Step / Wall, Free Standing
- **Injection Molded Back Casing**
Designed to be sturdy and allow for high impact force
- **Arms**
Cup arm, JOT tablet, D2 tablet, Tables
- **Range of Row Lighting Options**
- **Cup Holders**
- Arm mount - Wall mount
- **End of Row and Seat Identification**
- **Debossed or Stitched Logo on Backrest**

CLARITY SPORT SERIES

VIP / Auditorium Seating

Beam-Mount System

22" minimum seat center (with arm)

