

THE MOST
**STATE OF THE ART
ENGINEERING**
TO HAVE A CUP HOLDER

**SEATING'S HIGHEST
IS REACHING NEW H**

It's All About Comfort

Venue operators can rest easy knowing patrons in every row of their facility will have a seat that elevates the spectator experience.

Maximize Your Flexibility

Our innovative Beam-Mount System, which allows seats to be mounted independently of the bracket and sub-structure allows for more flexible seating configurations, maximizing your venue's potential.

Maintenance Made Simple

With Forte's toggle locking system to a beam-mount and cushion removal system in both the seat and backrest, we create an easy-to-maintain design, plus long-lasting performance and reduced downtime.

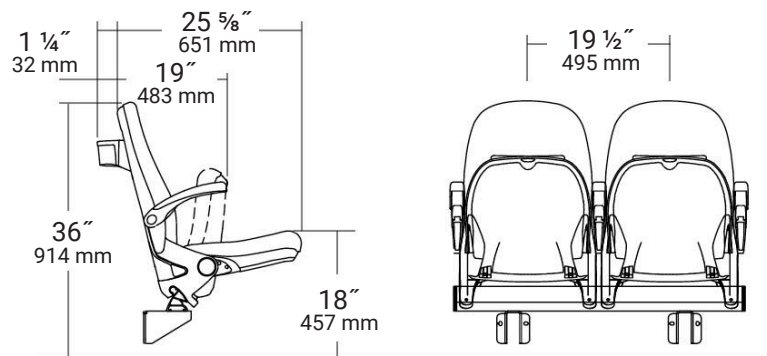


Features and Benefits

- Beam-Mount System**
 Designed to last a lifetime, our beam-mount system future-proofs your venue with flexible, efficient seating that's easy to upgrade, replace, and built to maximize every inch of space
- Fully Enclosed Seat Pivot Mechanism**
 This ensures consistent, smooth seat return every time, with a convenient push-back function when unoccupied – plus, it arrives factory-assembled, so no on-site assembly is required
- Injection Molded Seat and Back**
 Designed to be sturdy and allow for high impact force
- Molded Polyurethane Seat and Back (Upholstered)**
 Patented molded foam is long lasting, supportive and comfortable for continuous hours of use for years to come
- Composite Glass-Filled Nylon Side Supports**
 Side supports made from heavy duty structural material
- Individually Designed Components**
 Designed for ease of installation and replacement of key components. Quick replacement of seat and back pads through patented easy snap in and out system

Styling Options

21 Standard colors available (15 shown). Custom colors also available upon request. Scan the QR code below for optional accessories, and additional styling options.



Shown: Standard 36" Forte chair. For more dimensions go to our website.

FORTE SERIES

Club / General Admission Seating

Beam-Mount System

19" (483 mm) minimum seat center (w/out armrest)



Optional Accessories

- Mounting Options (Beam-Mount System)**
 Tread (Floor) | Riser (Step/Wall) | Removable
- 2 Back Heights Available**
 36" Standard back and 42" High back
- Factory Fitted Arms**
 - Standard lift up (plain or cups)
 - End of Row Filigree
- Lighting**
 Range of beam-mounted lighting options
- Cup Holders**
 Rear-Mount | Arm-Mount
- End of Row and Seat Identification**
 Tamper proof row ID and snap in tamper-proof seat numbers